

Electrical Equipment (Cont)

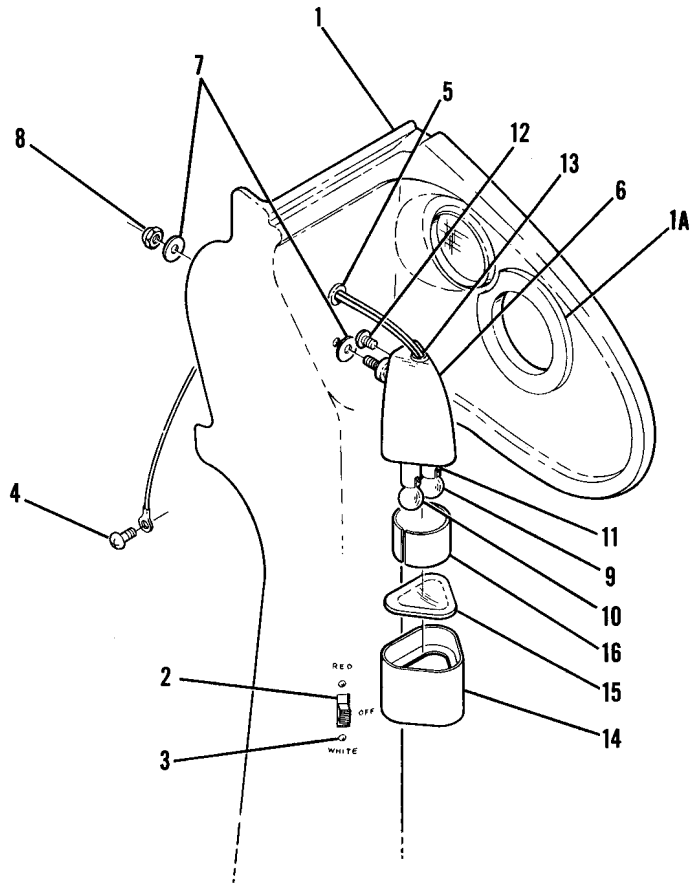
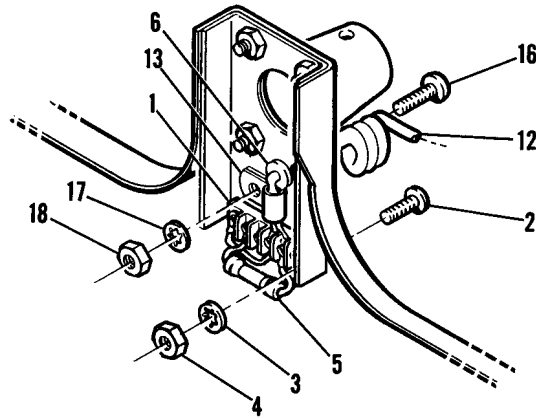
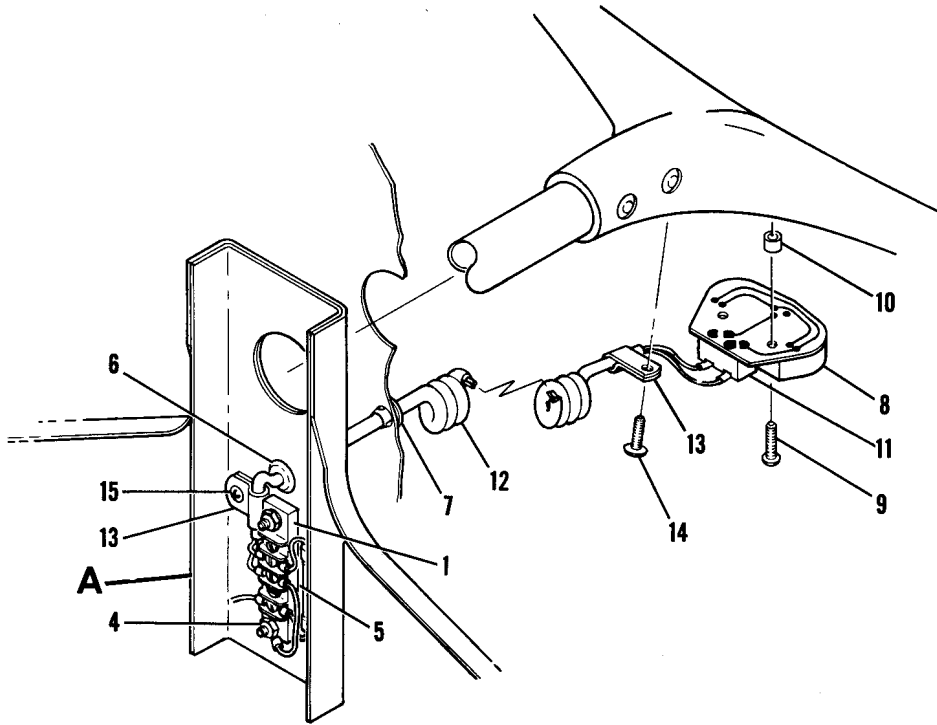


Figure 102. Map Light Installation

FIGURE AND INDEX NO.	PART NUMBER	DESCRIPTION	UNITS PER ASSY	USABLE ON CODE
<b>1 2 3 4 5 6 7</b>				
102 -		MAP LIGHT INSTALLATION -----	NP	
- 1	0413484-19 □	SHIELD ASSY-FRONT DOOR POST -----	1	A
	0413484-13 □	SHIELD ASSY-FRONT DOOR POST -----	1	B
- 1A	0415023-3 □	ESCUTCHEON ASSY -----	1	B
- 2	S1501-1	SWITCH -----	1	
		ATTACHING PARTS		
- 3	AN515-3R6	SCREW -----	2	
	AN340-3	NUT -----	2	
		---*---		
- 4	S1021Z4-4	SCREW GROUND WIRE -----	1	
- 5	MS35489-4	GROMMET -----	1	
- 6	1470089-14 □	MAPLIGHT ASSY -----	1	
		ATTACHING PARTS		
- 7	AN970-3	WASHER -----	2	
- 8	MS21045L3	NUT -----	1	
		---*---		
- 9	S1876-1	BULB-MAP LIGHT -----	1	
-10	S1876-3	BULB-MAP LIGHT RED -----	1	
-11	IDI-757	SOCKET ASSY ISES -----	1	
		ATTACHING PARTS		
-12	AN515-6R8	SCREW -----	1	
		---*---		
-13	MS35489-1	GROMMET -----	1	
-14	0700148-1 □	HOOD-MAPLIGHT -----	1	
-15	1470089-18	LENS-MAP LIGHT -----	1	
-16	1470089-17	TUBE-EXPANDER -----	1	
<p>NOTE. □THIS PART NUMBER MUST HAVE A SECOND DASH NUMBER ADDED TO DENOTE COLOR. REFER TO HOW TO ORDER INTERIOR PARTS-PAGE VII.</p> <p>A---172 SERIAL 17263459 THRU 17265684  F172 SERIAL F17201235 THRU F17201384</p> <p>B---172 SERIAL 17265685 &amp; ON  F172 SERIAL F17201385 &amp; ON</p>				

Electrical Equipment (Cont)



17265685 & ON  
F17201385 & ON

Detail **A**

Figure 103. Map Light Installation

FIGURE AND INDEX NO.	PART NUMBER	DESCRIPTION	UNITS PER ASSY	USABLE ON CODE
		<b>1 2 3 4 5 6 7</b>		
103 -		MAP LIGHT INSTALLATION-CONTROL WHEEL -----	NP	
- 1	351-11-05-001	BLOCK-TERMINAL CIN -----	1	
		ATTACHING PARTS		
- 2	AN515-4R10	SCREW -----	2	
	NAS43DD0-6	SPACER -----	2	A
- 3	AN936A4	WASHER -----	2	
- 4	AN340-4	NUT -----	2	
		---*---		
- 5	1570141-1	FUSE ASSY -----	1	
- 6	MS35489-33	GROMMET -----	1	
- 7	K375-125	BUSHING-SNUB HEMA -----	1	
- 8	0570088-3	LIGHT ASSY-MAP -----	1	
		ATTACHING PARTS		
- 9	AN515-2R12	SCREW -----	2	
	S1959-1	INSERT -----	2	
-10	NAS43DD0-15	SPACER -----	2	
		---*---		
	SEE FIG 2	PLACARD-MAP LIGHT -----	1	
-11	0570095-1	COVER-TERMINAL BOARD -----	1	
-12	8409	CABLE-RETRACTILE BDN -----	1	
		ATTACHING PARTS		
-13	S1155-3	CLAMP -----	2	
-14	AN515-8R5	SCREW -----	1	
	S1959-2	INSERT -----	1	
	AN960-8L	WASHER -----	1	
-15	AN515-8R6	SCREW -----	1	A
-16	AN515-8R14	SCREW -----	1	B
	NAS43DD3-24	SPACER -----	1	B
-17	AN936A8	WASHER -----	1	
-18	AN340-8	NUT -----	1	
		---*---		
		A---172 SERIAL 17263459 THRU 17265684		
		F172 SERIAL F17201235 THRU F17201384		
		B---172 SERIAL 17265685 & ON		
		F172 SERIAL F17201385 & ON		

Electrical Equipment (Cont)

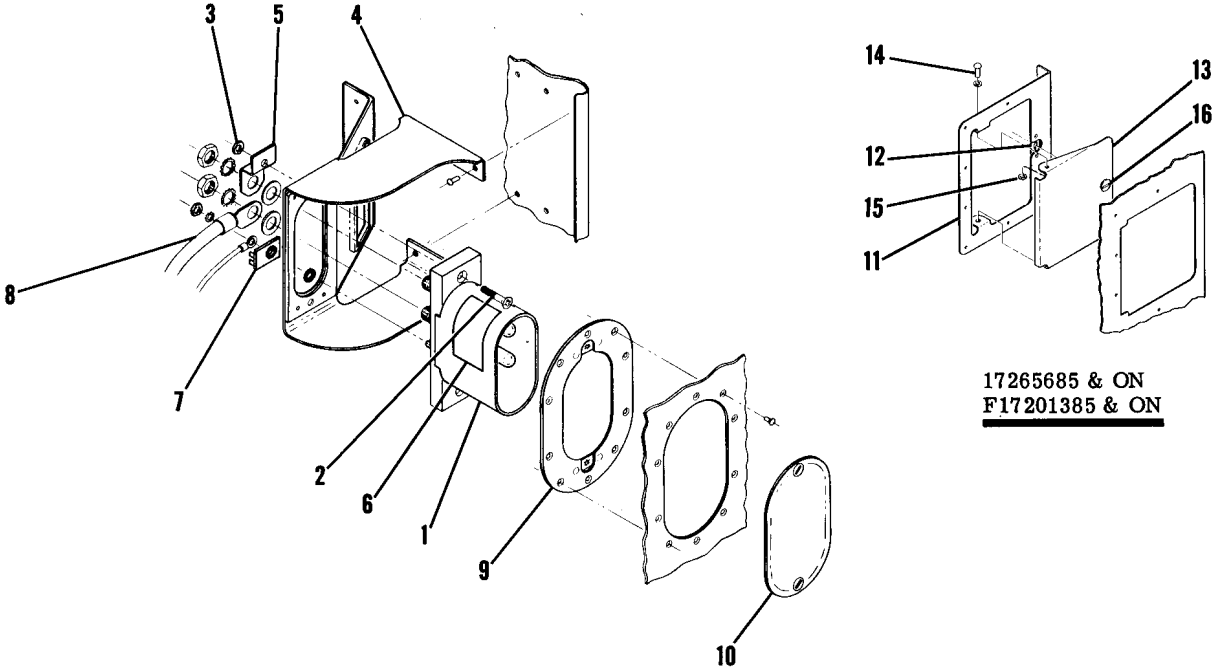


Figure 104. Ground Service Plug Installation

FIGURE AND INDEX NO.	PART NUMBER	DESCRIPTION	UNITS PER ASSY	USABLE ON CODE
104 -		<b>1 2 3 4 5 6 7</b>		
- 1	AN2552-3A	GROUND SERVICE PLUG INSTALLATION -----	NP	
- 2	AN510-10R14	RECEPTACLE-GROUND SERVICE PLUG -----	1	
- 3	MS21045L3	ATTACHING PARTS -----		
		SCREW -----	2	
		NUT -----	2	
		-----*		
- 4	0553005-5	BRACKET-MOUNTING -----	1	
- 5	0553010-1	STRAP-GROUND -----	1	
- 6	SEE FIG 2	PLACARD-POLARITY -----	1	
- 7	1570043-3	DIODE BOARD ASSY -----	1	
- 8	0500062-PC7	CABLE-RECEPTACLE TO CONTACTOR -----	1	A
	0570101-PC1	CABLE-RECEPTACLE TO CONTACTOR -----	1	B
- 9	0752610-1	DOUBLER ASSY -----	1	
	S1115-19	RECEPTACLE-STUD -----	2	
-10	0752611-1	DOOR ASSY-GROUND SERVICE PLUG -----	1	
	S1115-30	STUD -----	2	
	S1115-9	RING -----	2	
-11	0552161-2	DOUBLER ASSY -----	1	B
-12	S1115-19	RECEPTACLE -----	1	
-13	0552161-4	DOOR ASSY -----	1	B
		ATTACHING PARTS -----		
-14	MS20450C8-5	RIVET -----	2	
-15	AN960XC4L	WASHER -----	2	
		-----*		
-16	S1115-1	STUD -----	1	
	S1115-9	RING -----	1	
		A---172 SERIAL 17263459 THRU 17265684 F172 SERIAL F17201235 THRU F17201384		
		B---172 SERIAL 17265685 & ON F172 SERIAL F17201385 & ON		

 **NUMERICAL INDEX**