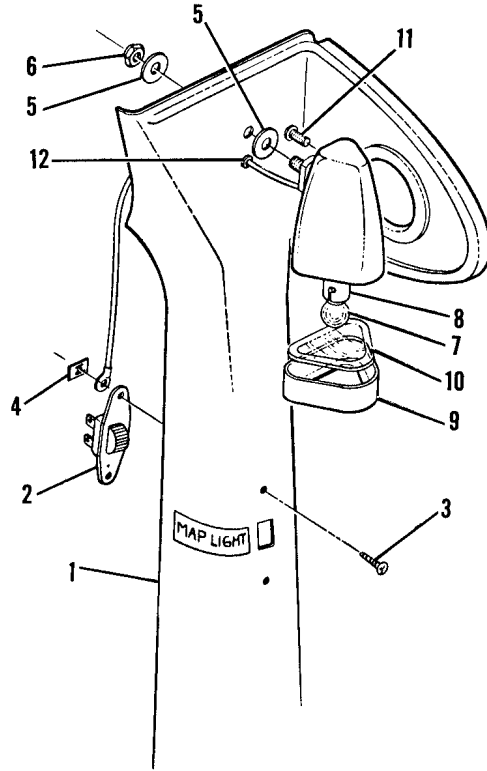


Electrical Equipment (Cont)



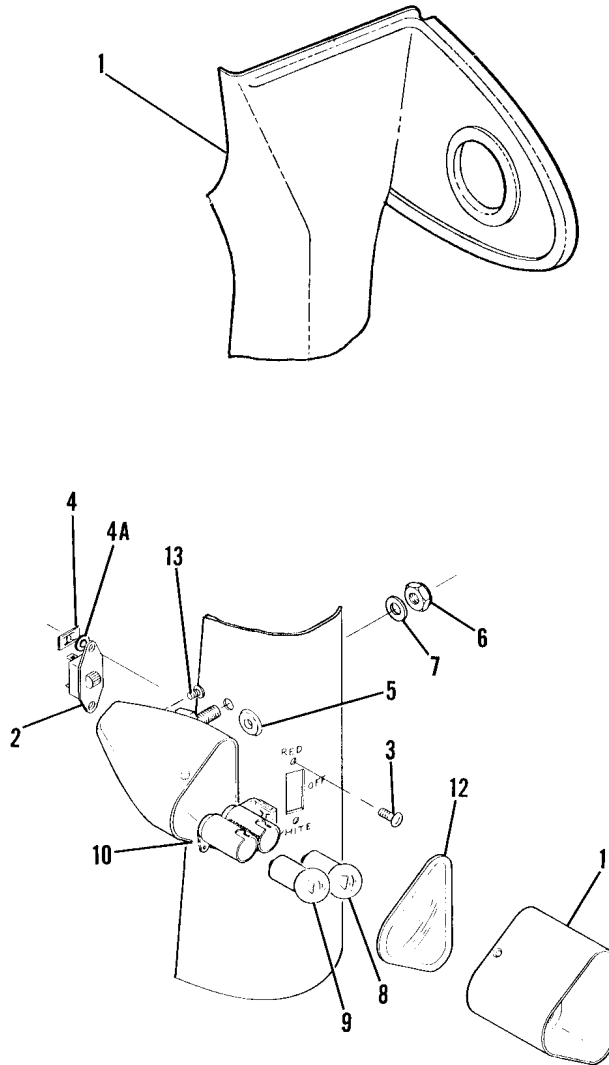
206 SERIAL 206-0001 THRU 206-0275

Figure 91A. Map Light Installation

FIGURE AND INDEX NO.	PART NUMBER	DESCRIPTION	UNITS PER ASSY	USABLE ON CODE
91A-		MAP LIGHT INSTALLATION -----	NP	A
- 1	1270463-3-434	SHIELD-FRONT DOORPOST LH -----	1	
- 2	0713029	SWITCH -----	1	
		ATTACHING PARTS -----		
- 3	S1021Z6-6	SCREW -----	2	
- 4	NAS446-2-3	NUT -----	2	
		-----*		
	1470089-10-532	MAP LIGHT ASSEMBLY -----	1	
		ATTACHING PARTS -----		
- 5	AN970-3	WASHER -----	2	
- 6	NAS679A3	NUT -----	1	
		-----*		
- 7	S1876-1	LAMP -----	1	
- 8	1924	SOCKET SHH1 -----	1	
- 9	1470089-6	RETAINER -----	1	
-10	1470089-8	LENS -----	1	
-11	AN520-6-8	SCREW-ADJUSTMENT -----	1	
-12	MS35489-4	GROMMET -----	1	
		A---206 SERIAL 206-0001 THRU 206-0275		

This page intentionally left blank.

Map Light (Cont)



**U206 SERIAL U206-0276 THRU U206-1234**  
**P206 SERIAL P206-0001 THRU P206-0519**

Figure 91B. Map Light Installation



FIGURE AND INDEX NO.	PART NUMBER	DESCRIPTION	UNITS PER ASSY	USABLE ON CODE
		<b>1 2 3 4 5 6 7</b>		
91B-		MAP LIGHT INSTALLATION -----	NP	A
- 1	0770725-4	SHIELD-FRONT DOORPOST LH WHEN EXHAUSTED USE 0770725-10 ---	1	B
	0770725-10	SHIELD-FRONT DOORPOST LH -----	1	E
	1200655-25	SHIELD-FRONT DOORPOST LH -----	1	J
	0770725-16	SHIELD-FRONT DOORPOST RH USED WITH POST LIGHTS -----	1	G
	1200655-26	SHIELD-FRONT DOORPOST RH USED WITH POST LIGHTS -----	1	J
	0770725-6	SHIELD-FRONT DOORPOST LH -----	1	D
	0770725-8	SHIELD-FRONT DOORPOST LH -----	1	F
	1215003-1	SHIELD-FRONT DOORPOST LH -----	1	K
	0770725-18	SHIELD-FRONT DOOR POST RH USED WITH POST LIGHTS -----	1	H
	1215003-4	SHIELD-FRONT DOORPOST RH USED WITH POST LIGHTS -----	1	K
- 2	S1501-1	SWITCH-MAP LIGHT -----	1	
		ATTACHING PARTS		
- 3	AN515-3R6	SCREW -----	2	
- 4	AN340-3	NUT -----	2	
- 4A	AN935-3L	WASHER -----	2	
		-----*		
- 5	MS35489-4	GROMMET -----	1	
	1470089-14	MAPLIGHT ASSEMBLY -----	1	
		ATTACHING PARTS		
- 6	NAS679A3	NUT -----	1	
- 7	AN970-3	WASHER -----	1	
		-----*		
- 8	S1876-1	LAMP -----	1	
- 9	1816TR	LAMP RED -----	1	
-10	ID1757	SOCKET ASSEMBLY ISES -----	1	
-11	0700148-1	HOOD ASSEMBLY -----	1	
-12	1470089-8	LENS -----	1	
-13	AN520-6-8	SCREW-ADJUSTMENT -----	1	
		NOTE. #THIS PART NUMBER MUST HAVE A SECOND DASH NUMBER ADDED TO DENOTE COLOR. REFER TO HOW TO ORDER INTERIOR PARTS-PAGE XI.		
		A---U206 SERIAL U206-0276 THRU U206-1234 P206 SERIAL P206-0001 THRU P206-0519		
		B---U206 SERIAL U206-0276 THRU U206-0437 P206 SUPER SKYWAGON SERIAL P206-0001 THRU P206-0160		
		D---P206 SUPER SKYLANE SERIAL P206-0001 THRU P206-0160		
		E---U206 SERIAL U206-0438 THRU U206-0914 P206 SUPER SKYWAGON SERIAL P206-0161 THRU P206-0306		
		F---P206 SUPER SKYLANE SERIAL P206-0161 THRU P206-0419		
		G---U206 SERIAL U206-0657 THRU U206-0914		
		H---P206 SERIAL P206-0307 THRU P206-0419		
		J---U206 SERIAL U206-0915 THRU U206-1234		
		K---P206 SERIAL P206-0420 THRU P206-0519		