

TASKLIGHT 600

FAA NORSEE APPROVED



The Tasklight 600 product is designed and manufactured in the USA to industry leading traceability of ISO 9001 AS9100 quality standards and will provide years of reliable service. Constructed with quality components and 6016-T6 Anodized Aluminum Housing.

This light incorporates an on/off power switch along with a dimming system actuated by a knob at the rear of the housing. The unit is compatible with both 14v and 28v systems.

On dual color models, both color switching and dimming is controlled by the dimming knob. (Turn right for color 1 and opposite direction for color 2 with center position dark)

Voltage: 11V-28V DC
Power: 40mA max
Weight: 59.5 g (2.1 oz)

Operating temperature range -25C to +80C
Storage temperature range -30C to +100C

Light Output, Dual Color Model:
White: 48k max. MCD (Millicandela Rating)
Red: 22.5k max. MCD

Light Output, Single Color Model:
White: 96k max. MCD (Millicandela Rating)
Red: 45k max. MCD

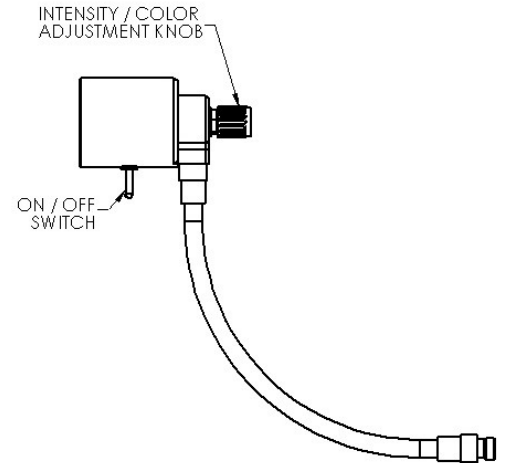
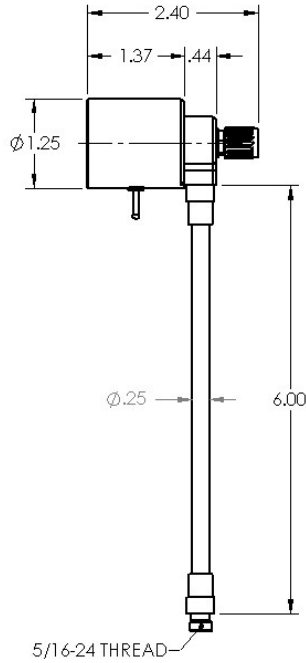
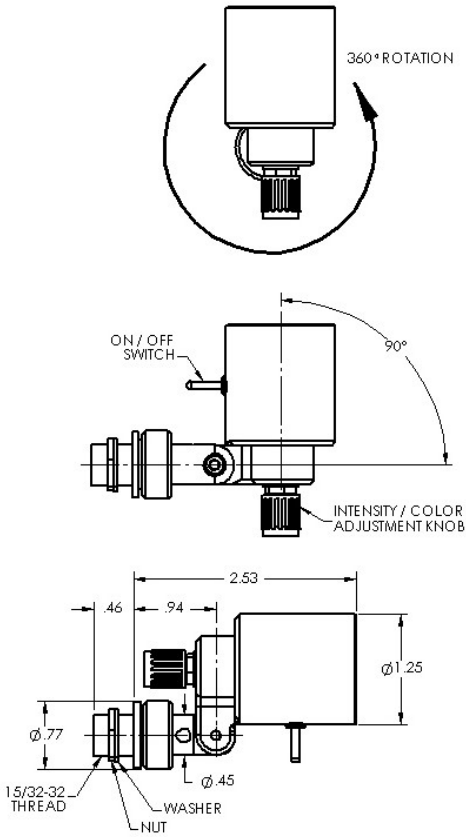
Wiring and Installation:

The Tasklight 600 is compatible with both 14v and 28v systems.
The light is provided with 18" leads of M22759/16-22 wire
Black lead (-) Color lead (+)
Tasklight 600 should be installed in accordance with AC 43.13-1B Chapter 11

Oplite Technologies is www.oplite.com a division of Machine Incorporated, a highly reliable CNC machining company—dependable in both product and customer service. www.machineinc.com

TaskLight 600

TaskLight 600 Gooseneck



MADE IN THE USA



www.oplite.com

781.297.3700

info@oplite.com

879 Turnpike Street, Stoughton, MA 02072 USA

FAA NORSEE APPROVED